

Service Manual

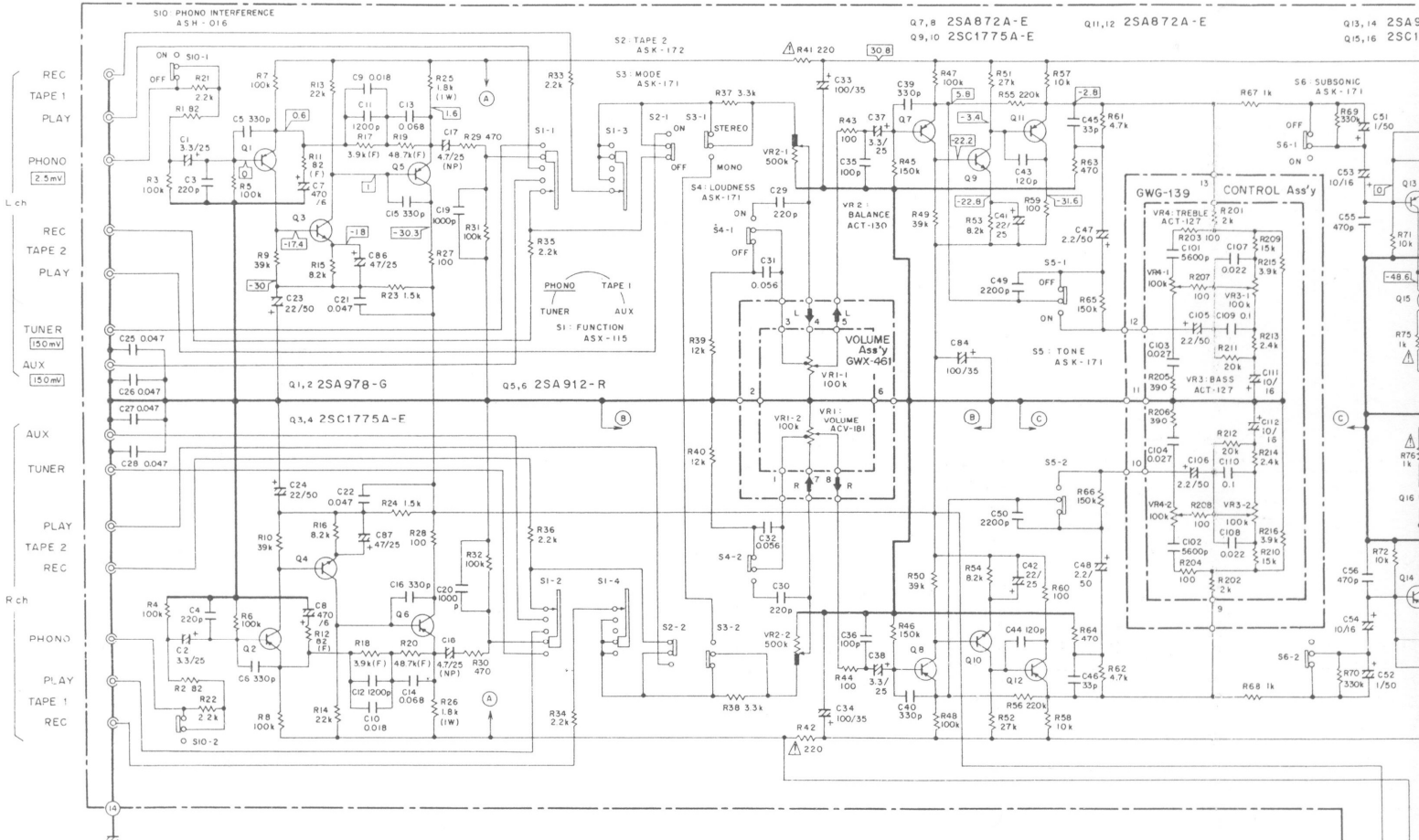
STEREO AMPLIFIER

SA-710

 PIONEER®

10.2 SCHEMATIC DIAGRAM

AF AMP Ass'y (1/2) GWK-145



1. RESISTORS:
Indicated in Ω , $\frac{1}{2}W$, $\pm 5\%$ tolerance unless otherwise noted k : k Ω , M : M Ω , (F) : $\pm 1\%$, (G) : $\pm 2\%$, (K) : $\pm 10\%$ tolerance
2. CAPACITORS:
Indicated in capacity (μF)/voltage (V) unless otherwise noted p = pF
Indication without voltage is 50V except electrolytic capacitor.
3. VOLTAGE, CURRENT:

\square V	: Signal voltage at 65 W + 65 W 8 Ω output (1KHz)
\square V	: DC voltage (V) at no input signal
\square V	: DC voltage (V) at rated power.
\square mA	: DC current at no input signal
4. OTHERS:
 - \rightarrow Signal route.
 - \odot Adjusting point.

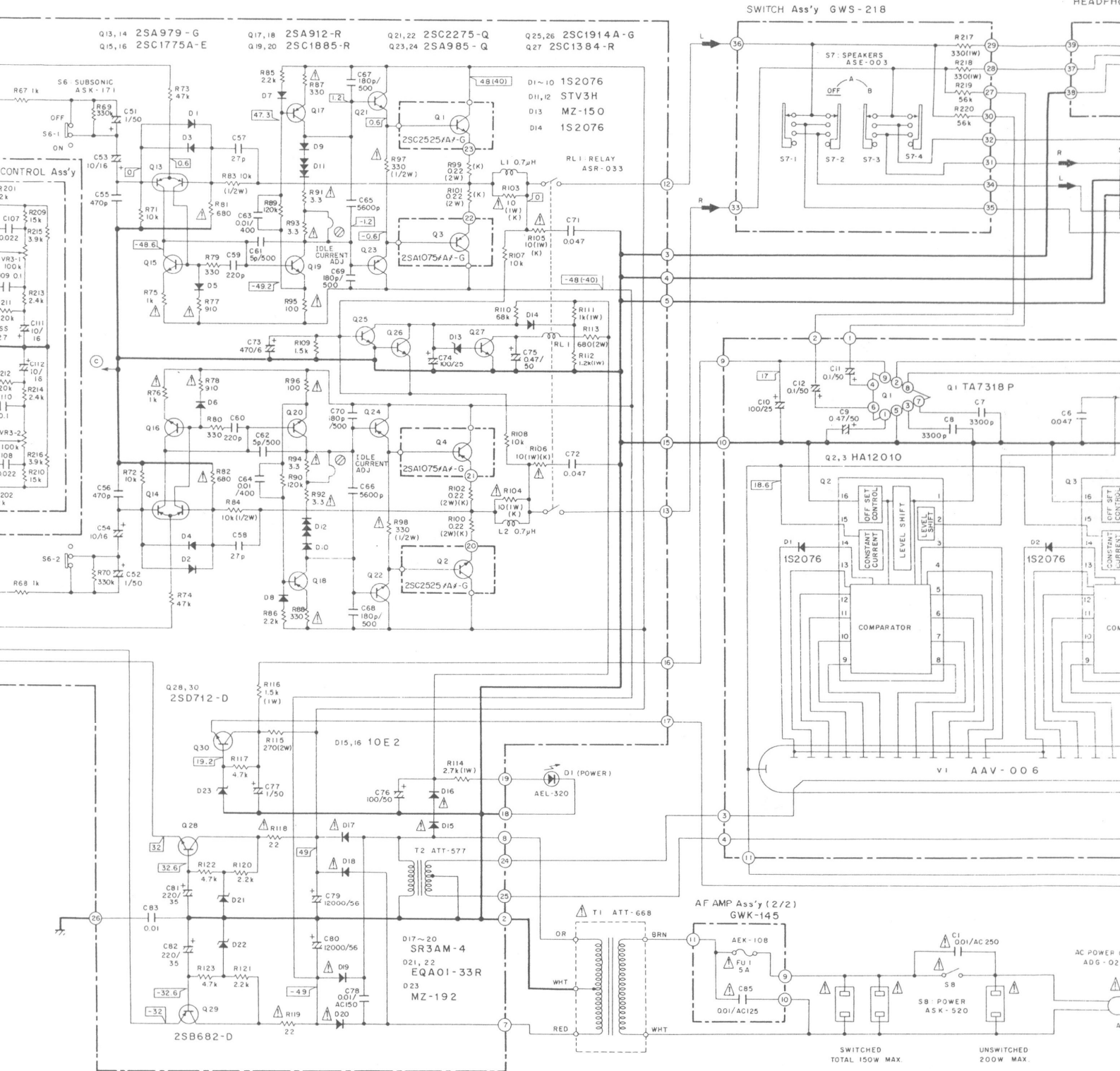
The Δ mark found on some component parts indicates the importance of the safety factor of the part. Therefore, when replacing, be sure to use parts of identical designation.

This is the basic schematic diagram, but the actual circuit may vary due to improvements in design.

SWITCHES:

- S1,9 : FUNCTION TUNER — PHONO — TAPE 1 — AUX
- S2 : TAPE 2 ON — OFF
- S3 : MODE STEREO — MONO
- S4 : LOUDNESS ON — OFF
- S5 : TONE ON — OFF
- S6 : SUBSONIC (15 Hz) ON — OFF
- S7 : SPEAKERS OFF — A — B
- S8 : POWER ON — OFF
- S10 : PHONO INTERFERENCE ON — OFF

The underlined indicates the switch position.



External Appearance of Transistors and ICs

